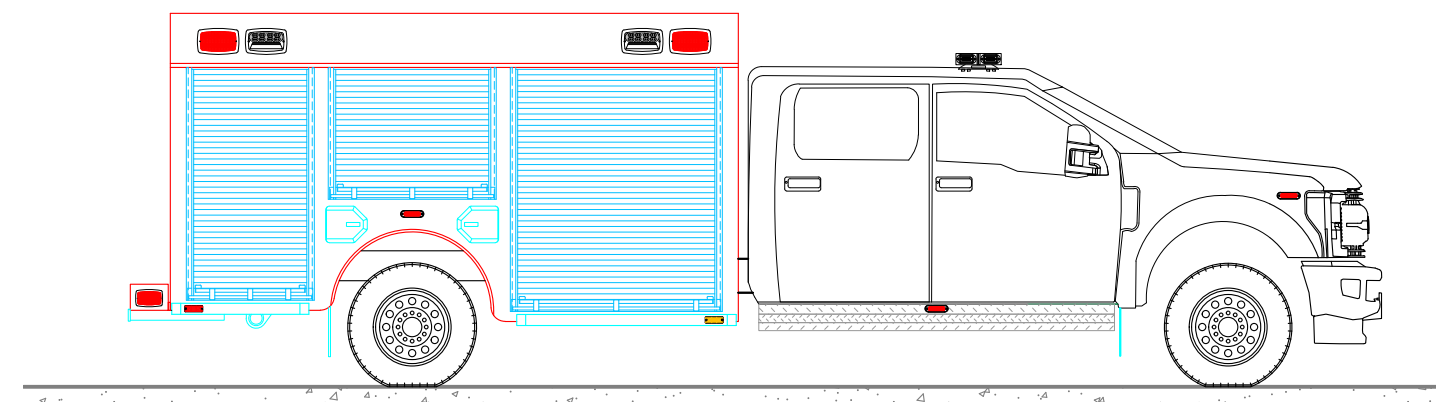
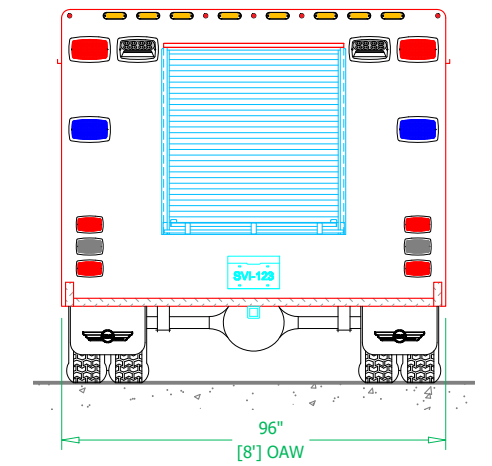
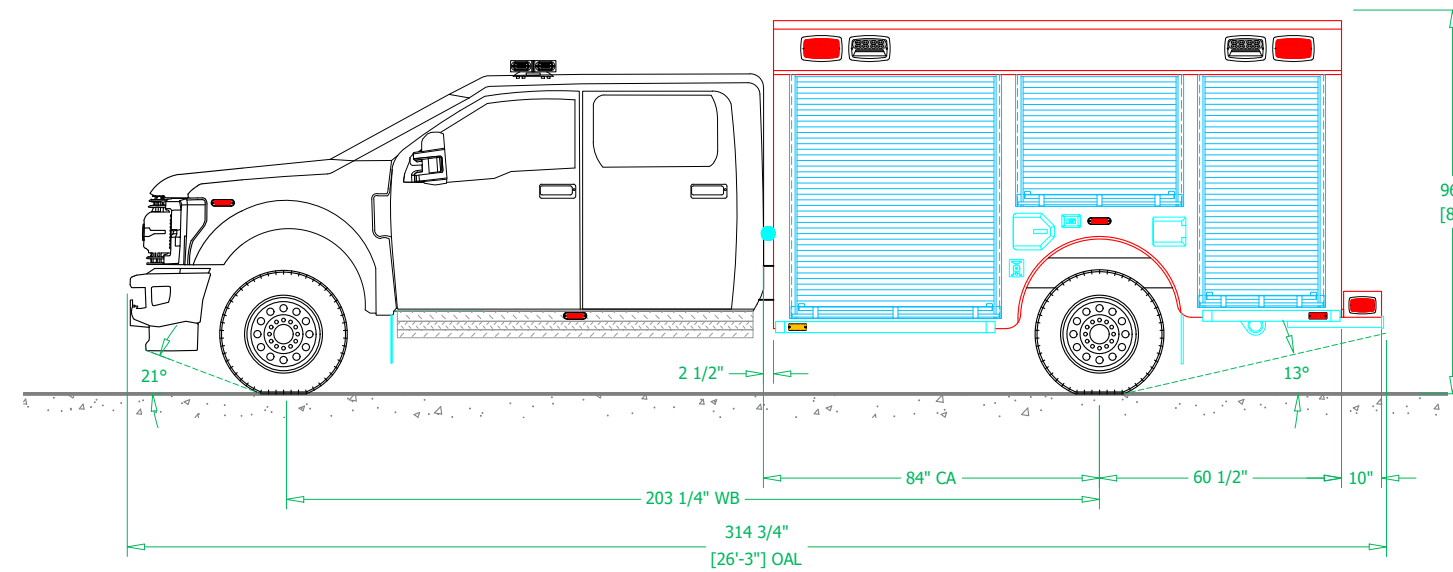
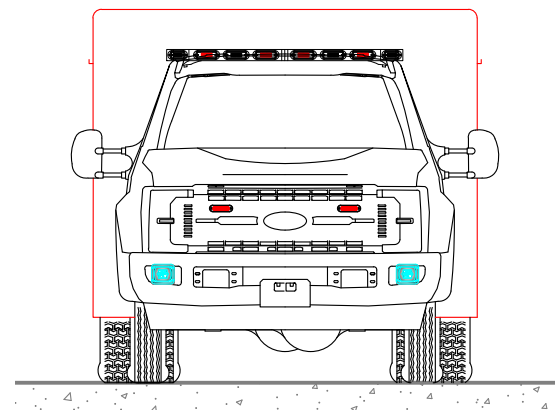
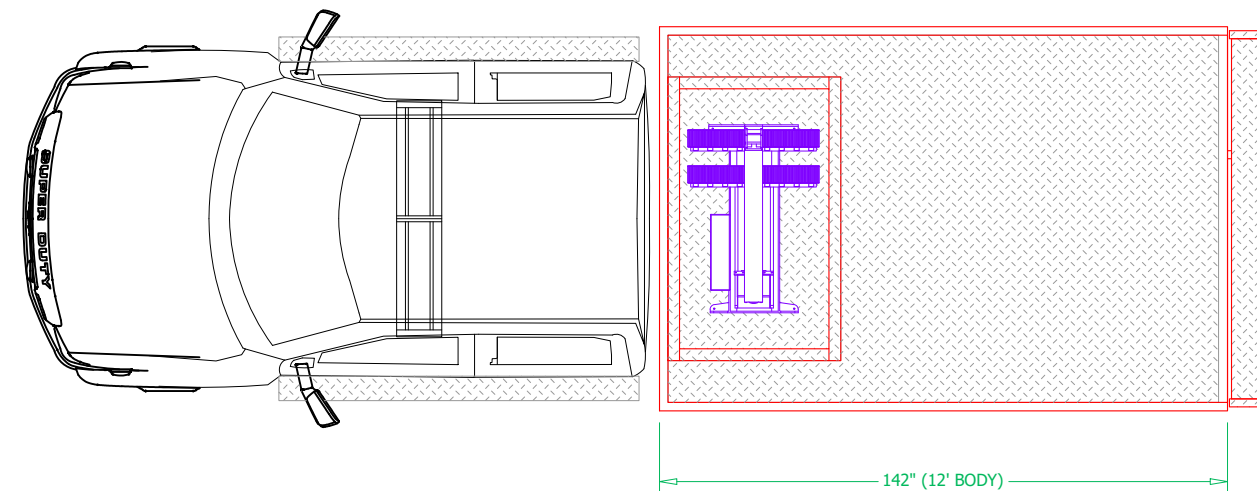


REVISIONS			
REV	DESCRIPTION	DATE	BY



SVI

FORT COLLINS COLORADO

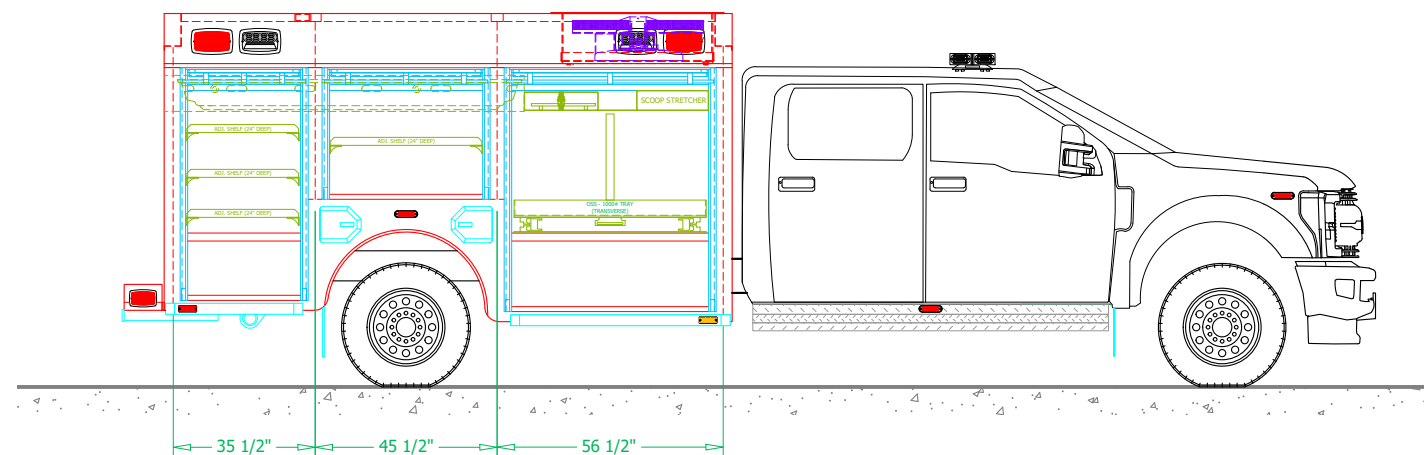
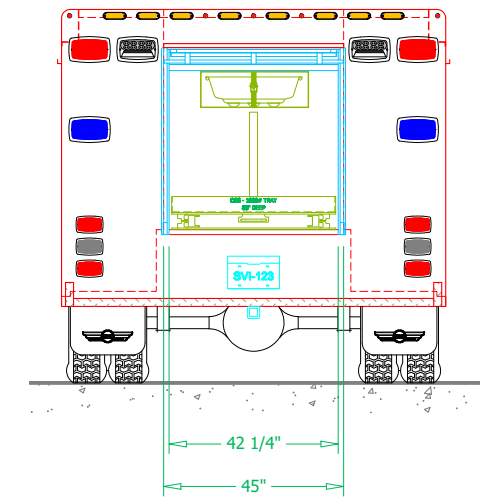
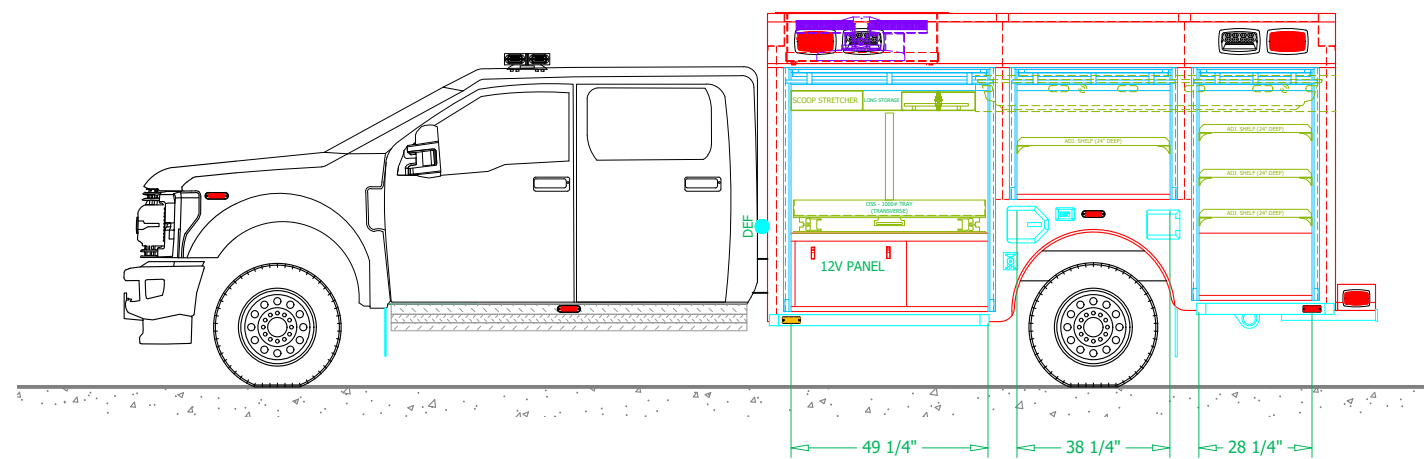
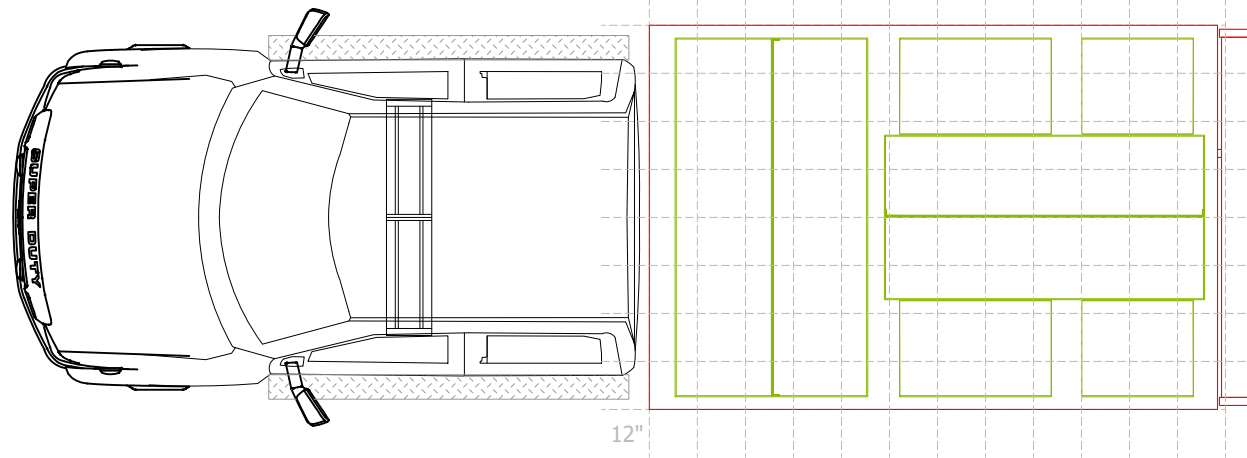
SVI FIRE & RESCUE TRUCKS
3842 REDMAN DRIVE, FORT COLLINS, CO 80524 PHONE 970-297-7100, FAX 970-297-7099


PROLINER RESCUE DEPARTMENT

BODY SIZE: 12' BODY	UNIT TYPE: LIGHT RESCUE
BODY MATERIAL: 3/16" ALUMINUM	TRUCK NO: SVI#1286
CHASSIS TYPE: FORD	WHEELBASE: SEE DWG
F550 4 x 4	CAB TO AXLE: 84.00"
-	OVERALL LENGTH (OAL): SEE DWG
FOUR DOOR	OVERALL WIDTH (OAW): 8' - 0"
	OVERALL HEIGHT (OAH): SEE DWG

DRAWN BY: RMH DATE: February 7, 2025 SCALE: 1/4" = 1'-0"
DRAWING NO: Proliner_NY_Ir12_Prelim1 SHEET 1 OF 2

REVISIONS			
REV	DESCRIPTION	DATE	BY





SVI FIRE & RESCUE TRUCKS
3842 REDMAN DRIVE, FORT COLLINS, CO 80524 PHONE 970-297-7100, FAX 970-297-7099

PROLINER
RESCUE DEPARTMENT

DRAWN BY: RMH	DATE: Feb. 7, 25	SCALE: 1/4" = 1'-0"
DRAWING NO: Proliner_NY_Jr12_Prelim1	SHEET 2 OF 2	