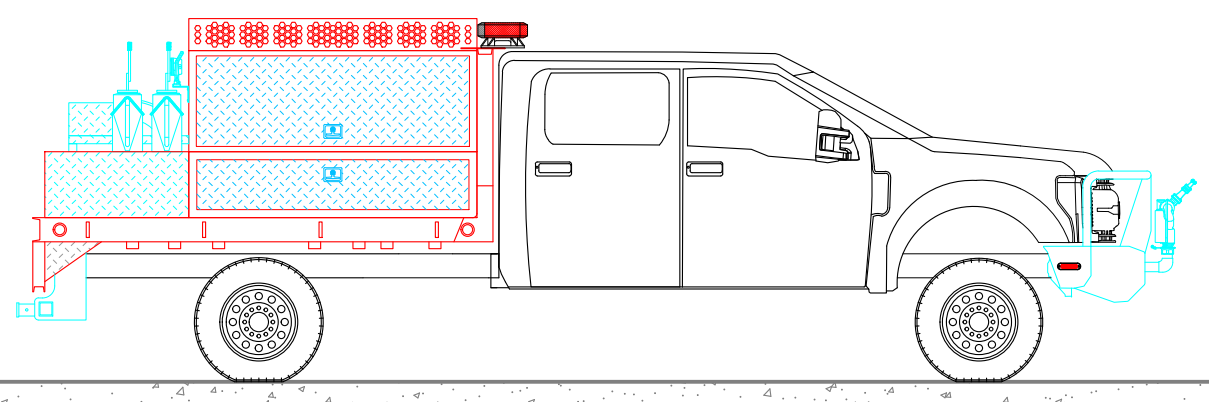
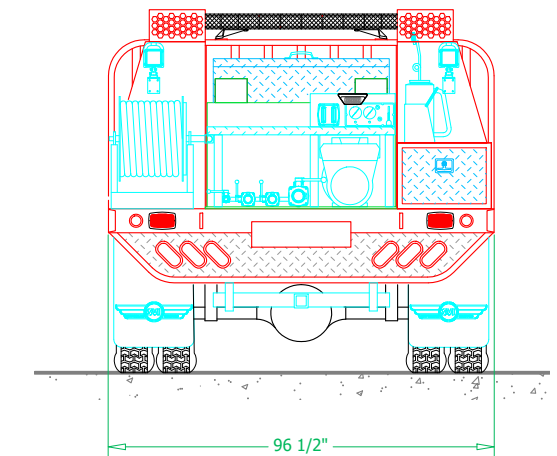
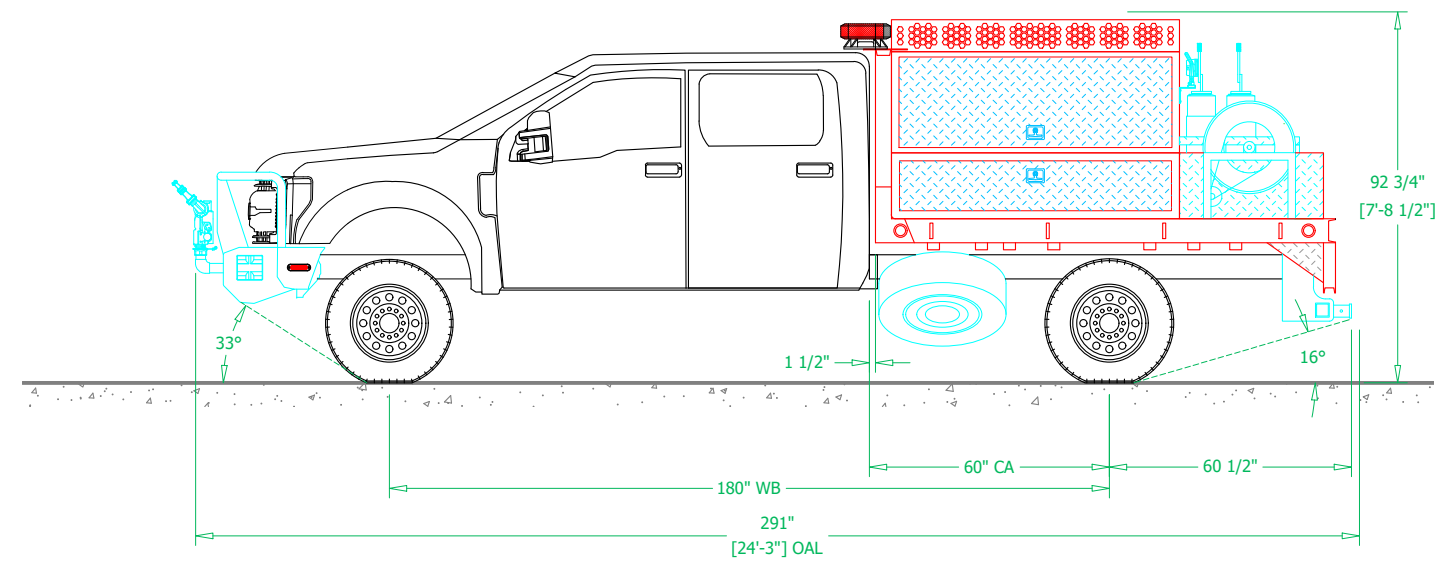
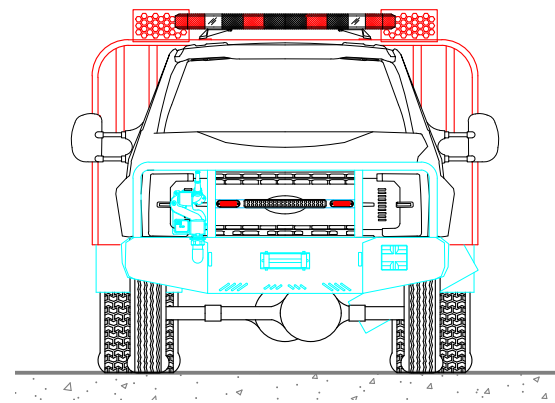
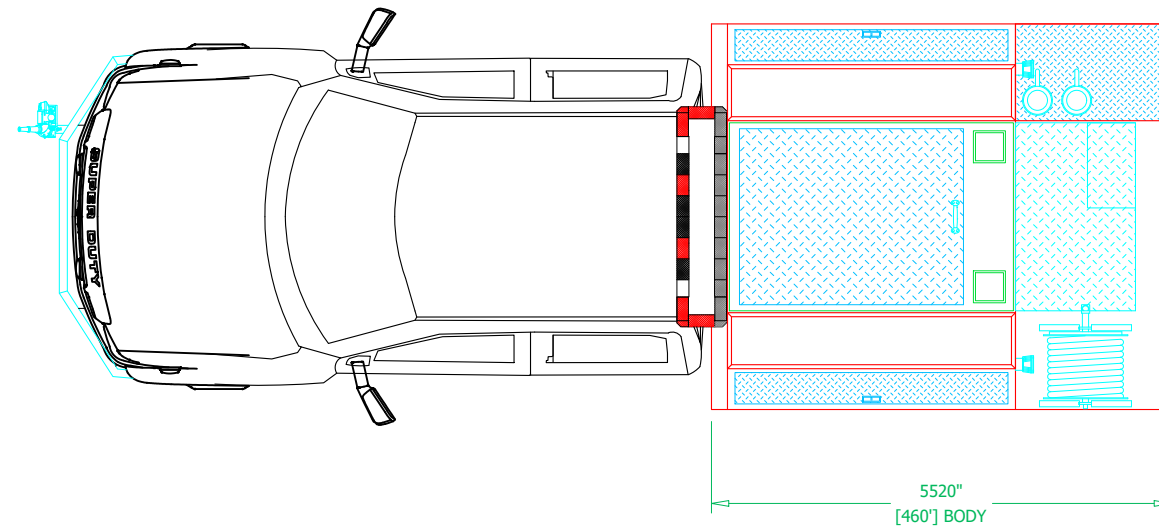



PRELIMINARY DRAWING - FOR LAYOUT PURPOSES ONLY

REVISIONS			
REV	DESCRIPTION	DATE	BY

NOTE 1: Do not scale drawing. This drawing is for general truck configuration only. All items and dimensions shown are approximate and may vary with final production. The drawing may not provide illustration for all items in the specification. In all situations where the drawing may contradict the specifications, the specifications shall prevail. This drawing and all data herein are provided as confidential materials and shall not be reproduced without written consent of the manufacturer.

NOTE 2: Chassis frame height will change due to axle characteristics, loading and tire dimensions which will effect the overall height dimension shown. Any overall height restrictions should take this into consideration and allow approximately 2-3 inches of tolerance.





SVI
FORT COLLINS COLORADO

SVI FIRE & RESCUE TRUCKS
3842 REDMAN DRIVE, FORT COLLINS, CO 80524 PHONE 970-297-7100, FAX 970-297-7099

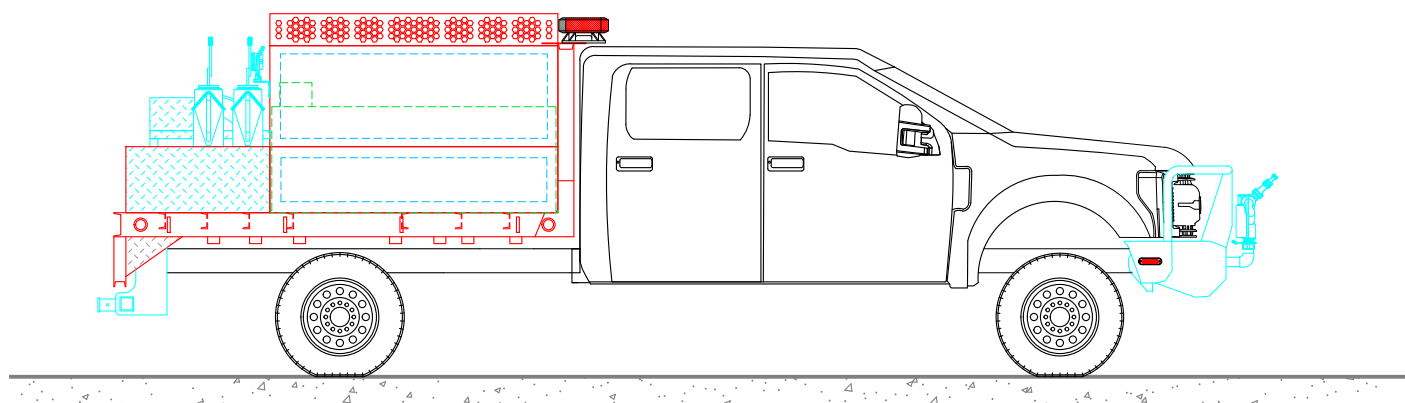
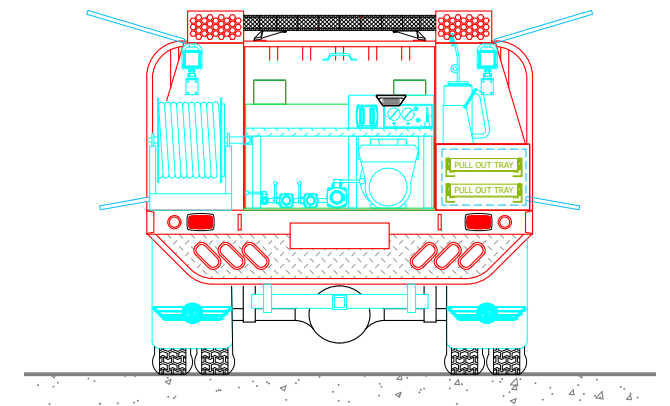
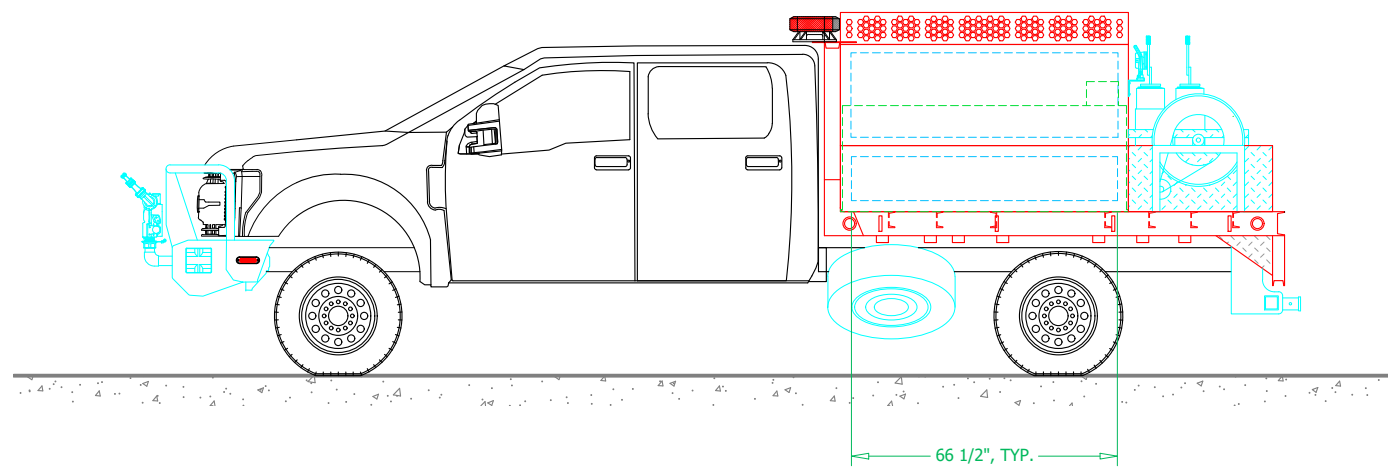
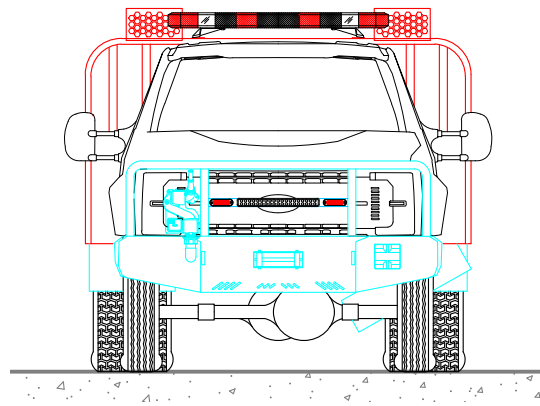
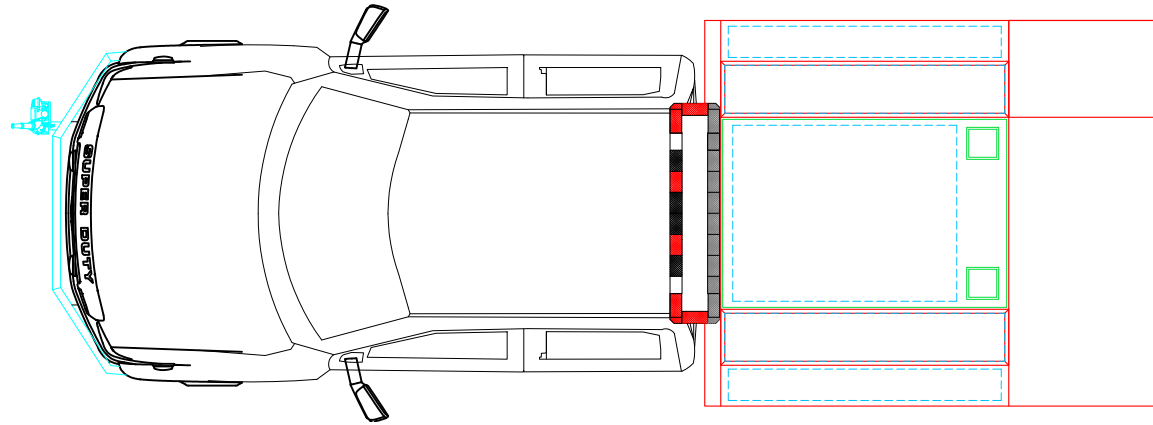
Taos Pueblo


BODY SIZE: ---	UNIT TYPE: TYPE 6
BODY MATERIAL: ALUMINUM	TRUCK NO: 1284
CHASSIS TYPE: FORD	WHEELBASE: 180.00"
F550 4 x 4	CAB TO AXLE: 60.00"
-	OVERALL LENGTH (OAL): SEE DWG
FOUR DOOR	OVERALL WIDTH (OAW): 8' - 1/2"
	OVERALL HEIGHT (OAH): SEE DWG
DRAWN BY: RMH	DATE: February 20, 2024
DRAWING NO: TaosPueblo_NM_t6_PreCon2	SCALE: 1/4" = 1'-0"
	SHEET 1 OF 2

PRELIMINARY DRAWING - FOR LAYOUT PURPOSES ONLY

REVISIONS			
REV	DESCRIPTION	DATE	BY

NOTE 1: Do not scale drawing. This drawing is for general truck configuration only. All items and dimensions shown are approximate and may vary with final production. The drawing may not provide illustration for all items in the specification. In all situations where the drawing may contradict the specifications, the specifications shall prevail. This drawing and all data herein are provided as confidential materials and shall not be reproduced without written consent of the manufacturer.





SVI
FORT COLLINS COLORADO

SVI FIRE & RESCUE TRUCKS
3842 REDMAN DRIVE, FORT COLLINS, CO 80524 PHONE 970-297-7100, FAX 970-297-7099

Taos Pueblo

DRAWN BY: RMH	DATE: Feb. 20, 24	SCALE: 1/4" = 1'-0"
DRAWING NO: TaosPueblo_NM_t6_PreCon2	SHEET 2 OF 2	