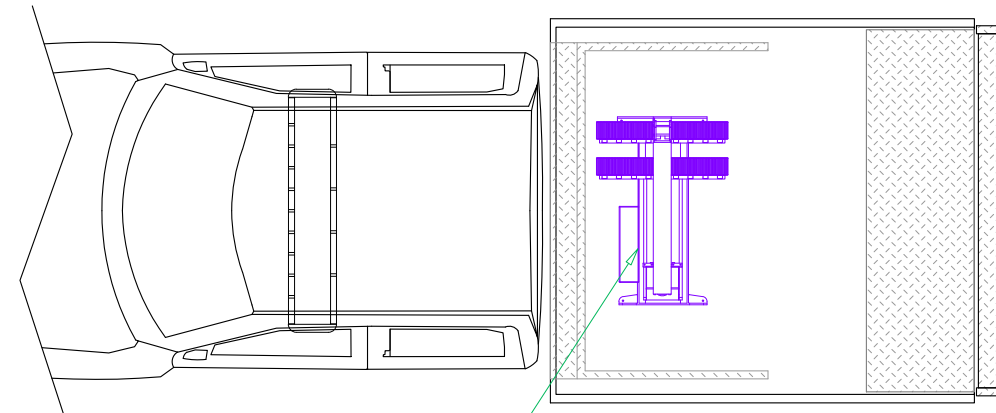


REVISIONS			
REV	DESCRIPTION	DATE	BY



CL - KNIGHT LIGHT  
CUSTOMER/DEALER SUPPLIED

106" (9' BODY)

TWO (2) WHELEN ION  
RED LED - CHROME  
ONE (1) EACH SIDE

WHELEN FREEDOM  
60" LIGHT BAR

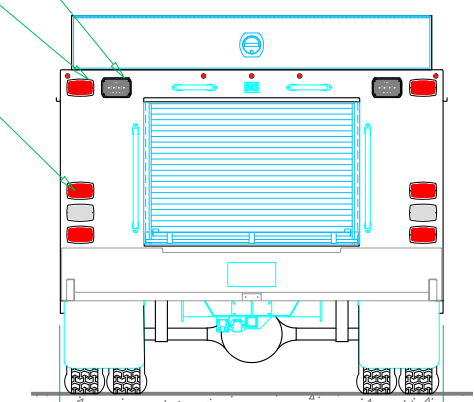
TWO (2) HIVIZ  
GUARDIAN ELITE JR.  
SCENE LED - CHROME

TWO (2) WHELEN M6  
RED LED - CHROME

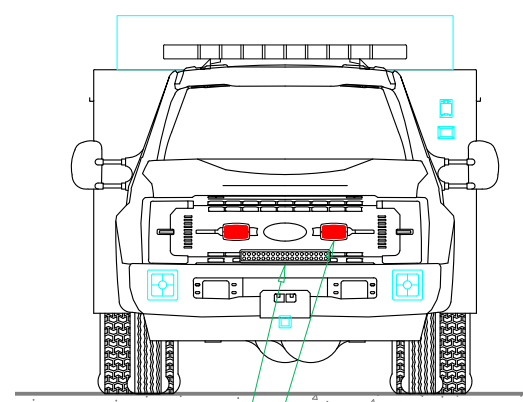
-TWO (2) WHELEN M6  
RED LED - WARNING

-TWO (2) WHELEN M6  
RED LED - BRAKE/TURN

-TWO (2) WHELEN M6  
CLEAR LED - BACK-UP

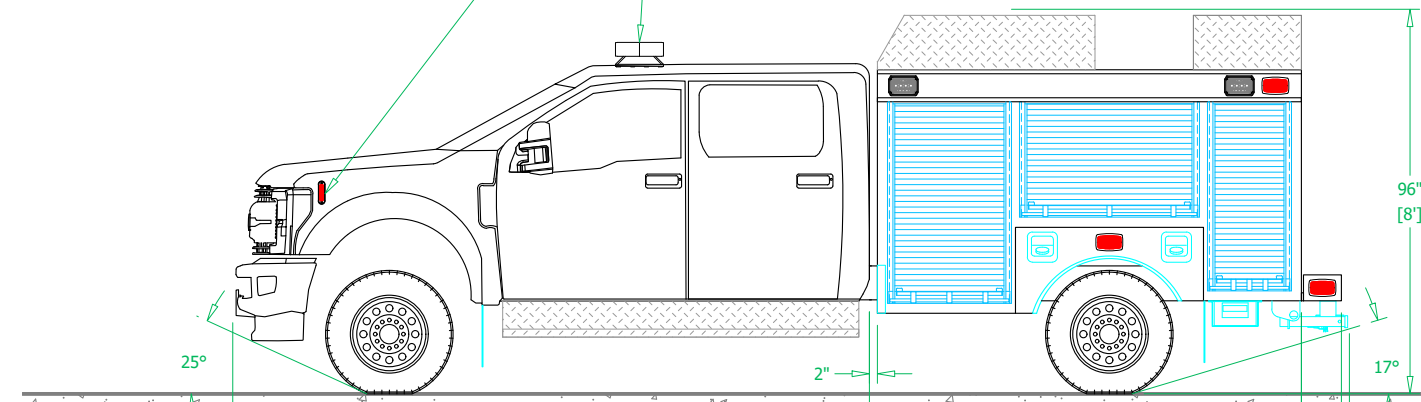


96"  
[8']  
OAW



RIDIG 20" LIGHT-STRIP

TWO (2) WHELEN M6  
RED LED - CHROME



25°

2"

17°

180" WB

60" CA

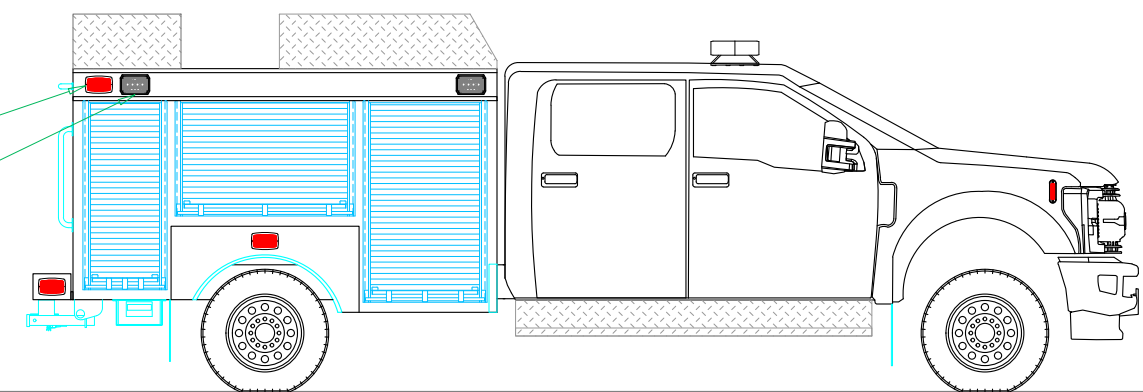
48"

10"

279 1/4"  
[23'-3"] OAL

SIX (6) WHELEN M6  
RED LED - CHROME  
THREE (3) EACH SIDE

FOUR (4) HIVIZ  
GUARDIAN ELITE JR.  
SCENE LED - CHROME  
TWO (2) EACH SIDE

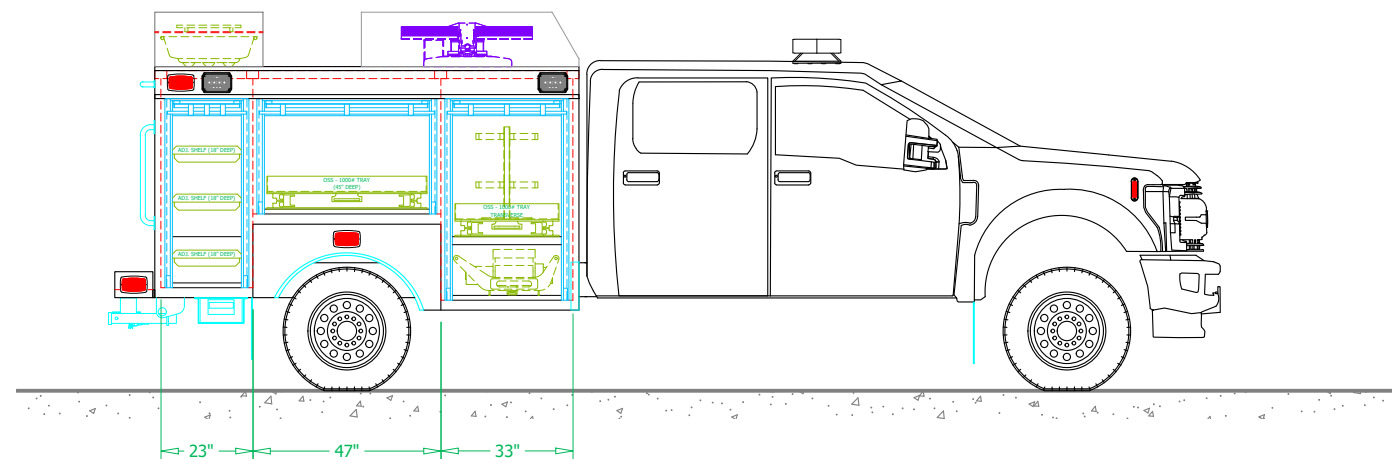
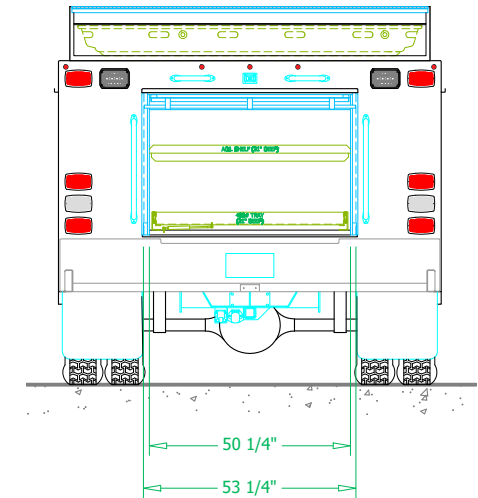
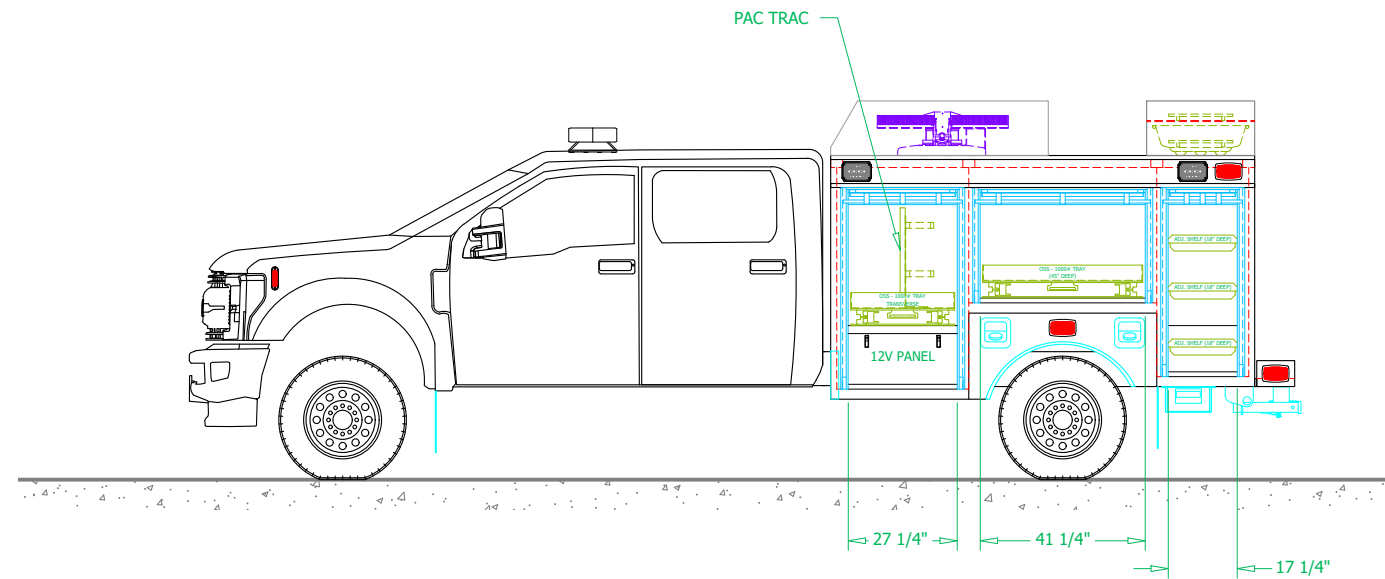
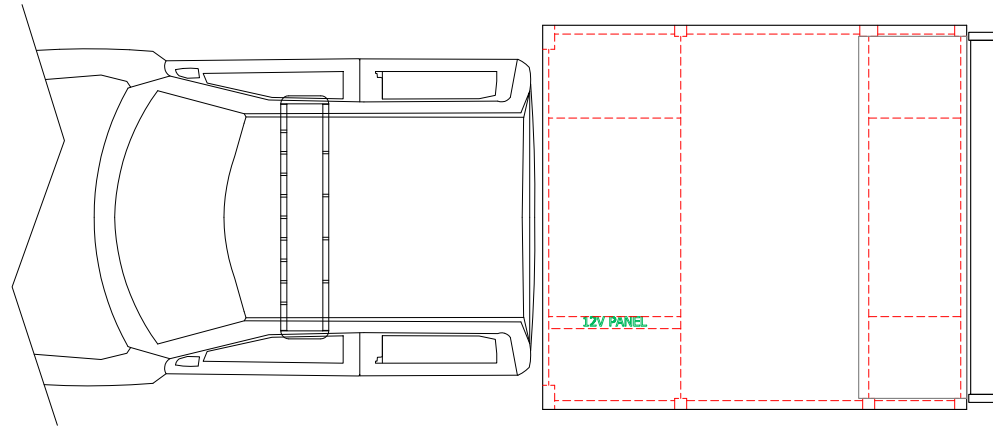



SVI FIRE & RESCUE TRUCKS  
3842 REDMAN DRIVE, FORT COLLINS, CO 80524 PHONE 970-297-7100, FAX 970-297-7099

**FREEPORT LNG**

BODY SIZE: 9'	UNIT TYPE: UTILITY
BODY MATERIAL: 1/8" ALUMINUM	TRUCK NO: SVI#1276 & 1277
CHASSIS TYPE: FORD	WHEELBASE: SEE DWG
F550	CAB TO AXLE: SEE DWG
-	OVERALL LENGTH (OAL): SEE DWG
-	OVERALL WIDTH (OAW): SEE DWG
FOUR DOOR	OVERALL HEIGHT (OAH): SEE DWG

REVISIONS			
REV	DESCRIPTION	DATE	BY





**SVI**  
FORT COLLINS COLORADO

SVI FIRE & RESCUE TRUCKS  
3842 REDMAN DRIVE, FORT COLLINS, CO 80524 PHONE 970-297-7100, FAX 970-297-7099

**FREEPORT LNG**

DRAWN BY: KP	DATE: Mar. 30, 23	SCALE: 1/4" = 1'-0"
DRAWING NO: FreeportLNG_TX_ut_PCM	SHEET 2 OF 2	