



Platteville-Gilcrest Fire Protection District (CO) Type 6 #1261

Chassis

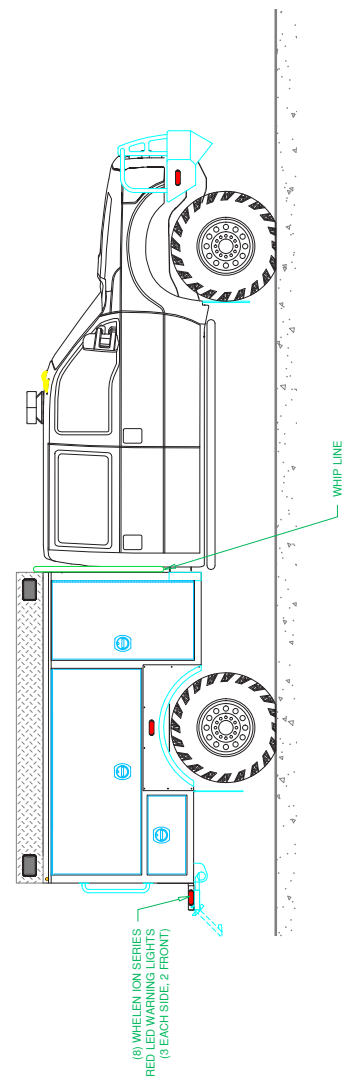
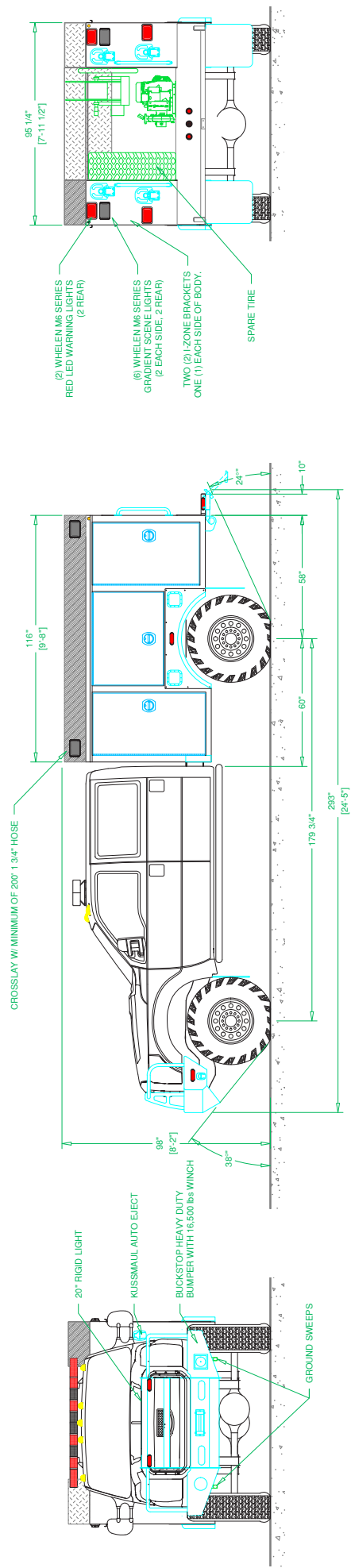
Cab: Ford F550 4-Door 4x4 Crew Cab
Engine: Ford 6.7 Power Stroke V8 Turbo
Transmission: Ford TorqShift 10-Speed
Wheelbase: 180"

Body

Material: Aluminum
Body Length: 9'
Overall Height: 8' - 2"
Overall Length: 24' - 5"

Features

SVI Extreme Contoured Steel Bumper
24" Off-Road Clearance
Task Force Tips Remote Controlled Monitor
Rigid Industries E-Series Flood LED Light
Front + Rear Warn 16.5ti Winches
400 Gallon Poly Water Tank
Darley 1.5 AGE 18V Pump System
OnScene Solutions Access PRO LED Lighting
Booster Hose Reel
Spare Tire Storage
Roof Compartment Storage



See more at svitrucks.com