



## **Chesterfield MI Medium Rescue #1195**

### **Chassis**

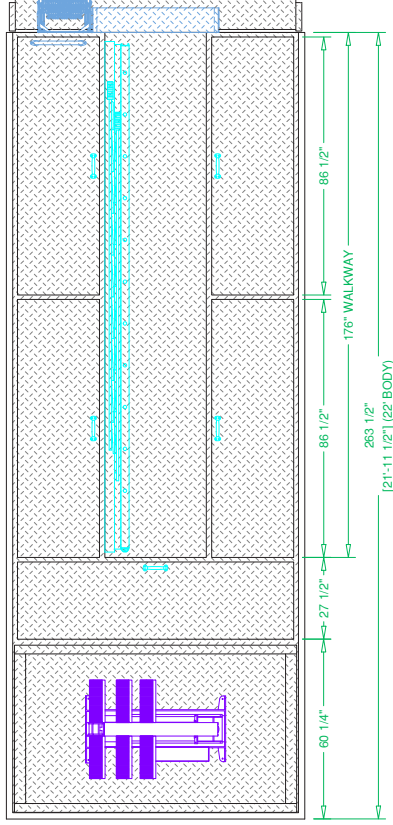
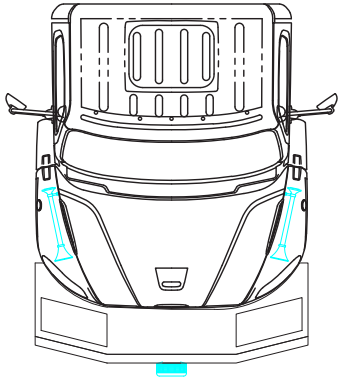
Cab: Freightliner M2 106 2x2 Chassis  
Engine: Cummins L9 350EV  
Transmission: Allison 3000 EVS  
Wheelbase: 229.5"

### **Body**

Material: Aluminum  
Body Length: 22'  
Overall Height: 10' - 11"  
Overall Length: 33' - 7"

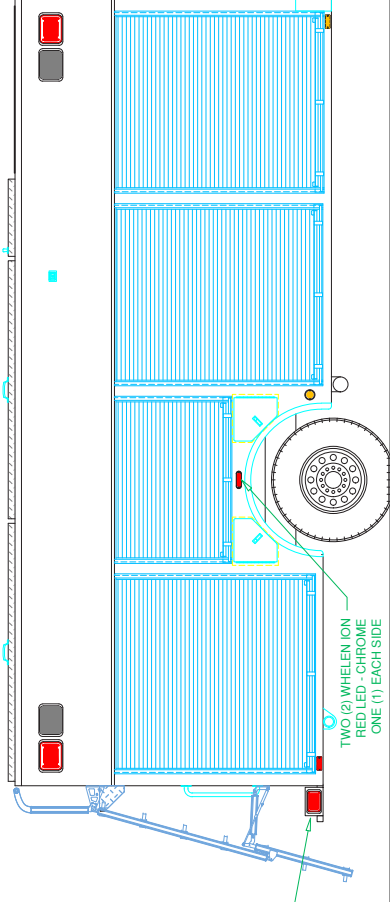
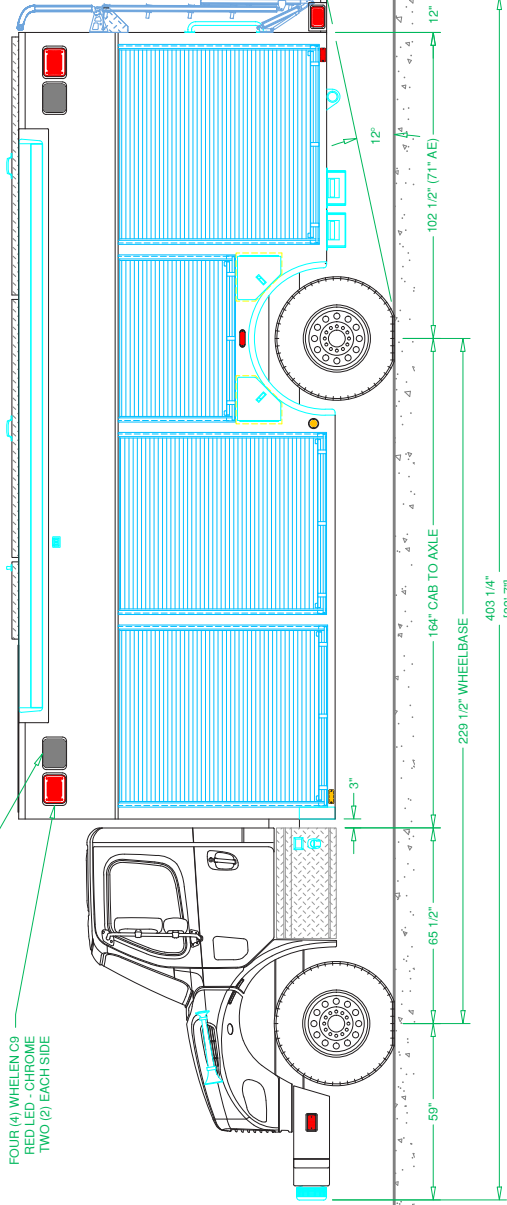
### **Features**

Whelen SA314A 100-Watt Siren Speaker  
Carefree Freedom Awning  
On-Board Shore Power System  
Norcold DE-0041R Refrigerator  
Command Light Knight Series Light Tower  
SlideMaster Slideout Cargo Trays  
OnScene Solutions Access LED Compartment Lighting  
ROM Series IV Roll-Up Compartment Doors  
SCBA Cylinder Storage Compartments  
Extended Bumper Tool Compartments  
Frame-Mounted Tow Hooks



FOUR (4) WHELEN C9  
SCENE - CHROME  
TWO (2) EACH SIDE

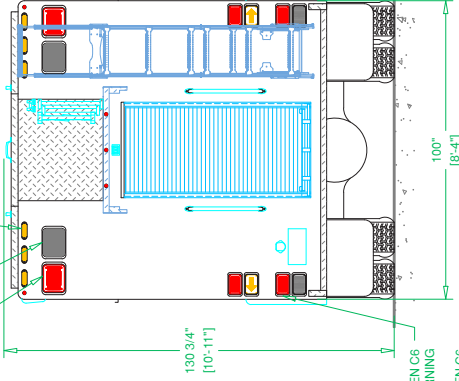
FOUR (4) WHELEN C9  
RED LED - CHROME  
TWO (2) EACH SIDE



TWO (2) WHELEN ION  
RED LED - CHROME  
ONE (1) EACH SIDE

TWO (2) WHELEN C9  
SCENE - CHROME

TWO (2) WHELEN C9  
RED LED - CHROME



TWO (2) WHELEN C9  
RED LED - WARNING

TWO (2) WHELEN C9  
AMBER LED - TURN

TWO (2) WHELEN C9  
RED LED - BRAKE

TWO (2) WHELEN C9  
CLEAR LED - BACK-UP



See more at [svitrucks.com](http://svitrucks.com)